

Intwine Connect Gateway – ICG 450 Series



Product Features

- 5G high-speed cellular network access
- Embedded with 4G LTE CAT 18 cellular radio
- High-speed gigabit WAN/LAN/VLAN networking
- Software-Defined-WAN Capable (SD-WAN)
- Maximum 1200Mbps, 2.4G and 5G WiFi
- Zero touch deployment capable
- Alarms, notifications, and diagnostic tools
- Centralized policy and device management

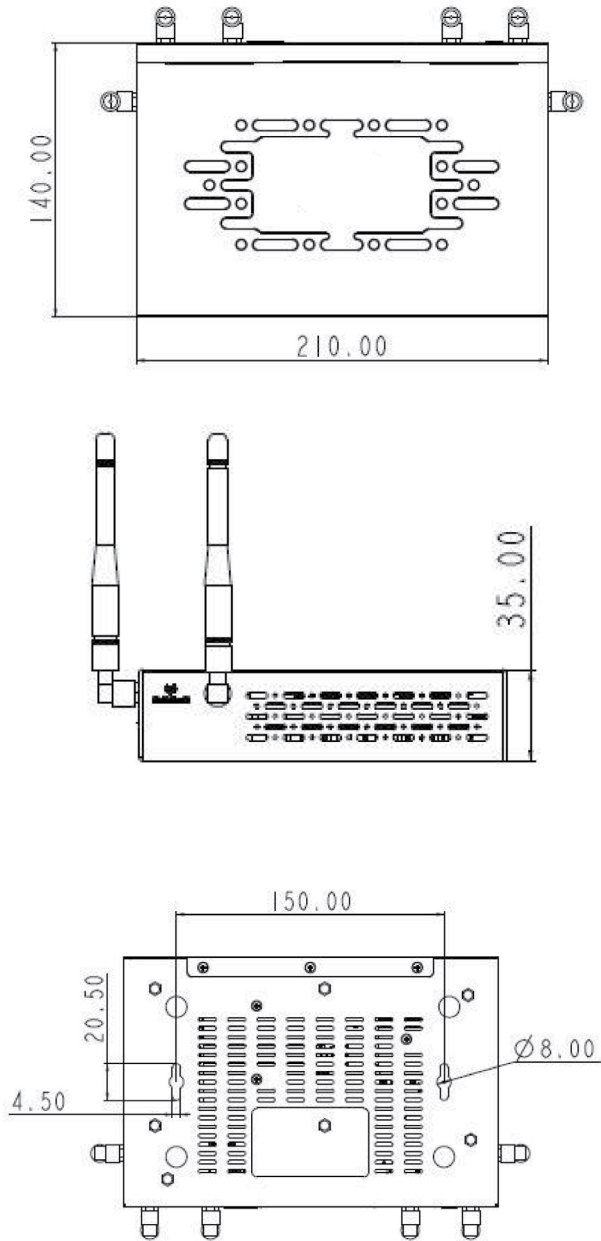
The Intwine Connect 450 series bridges Intwine’s reputation for reliable, secure, and efficient connectivity to the 5G network era. Cellular connectivity and edge computing are core to its designed intelligence. Capable of both 5G and 4G/LTE cellular, the ICG-450 provides customers with high-speed connection as well as flexible administration and managed services options. Connect and protect with Intwine Connect.



ICG-450 fits nearly any connectivity network application including:

Retail stores, quick service restaurants, branch offices, campuses, remote workforces, job sites, healthcare clinics, dental offices, law firms, spas, salons, and more.

Dimensional Drawings



Specifications: ICG-450 Platform

Network Capabilities	
Cellular	5G, Downlink 2Gbps, Sub6 (450MHz to 6GHz), 4G
Ethernet	5*10/100/1000Mbps, Ethernet, Dual WAN/LAN, VLAN
Antenna Interface	5G Cellular*4, or 4G Cellular*2, Wi-Fi*2
Concurrent Users/Devices	Up to 50
Intrusion Detection	Supported
Content Filtering	Supported
Firewall	MAC, IP, Port, Application Protocol, NAT, PAT, DMZ, Port Mapping, Virtual Server, Access Control List (ACL)
IP Protocol	IPv6, Ipv4
IP Application	Ping, Traceroute, DHCP Server/Client, DNS Relay, Dynamic Domain Name, DDNS, Telnet, SSH, HTTP, HTTPS, TFTP, FTP, SFTP
VPN Security	IPsec/L2TP/ GRE/OpenVPN/CA, PEM, PKCSI2, SCEP (CA Certificated)
Safe Access	LDAP, RADIUS, TACACS+, 802.11 WPA2 Enterprise, 802.1Q VLAN/QoS, 802.1X Certificated
Reliability Features	
Back-up and Auto-recovery	Interface Backup, WAN/WIFI/Cellular Backup
Dual SIM Dial Link, Seamless Switching,	2.0 Type- A (3 ports)
Cellular Link Failover	Standard/Mini/2FF (2 SIM Slots)
Link Detection	Link detection multiple detection link mechanisms to realize automatic
Hardware Features	
Input Voltage	Input: 9-48VDC
Power Consumption	12W
Working Temperature	-20°C ~ + 70°C
Storage Temperature	-40°C ~ + 85°C
Humidity	95%RH at 60°C
Installation	Mounting options available or desktop/shelf
USB	USB 3.0 (1 port)
SIM	Dual SIM, Nano SIM
Reset	Reset Button
Dimensions	210mm x 140 mm x 35 mm
Cellular Radio	
5G	5G NR NSA n1/n2/n3/n5/n7/n8/n12/n20/n25/n28/n38/n40/n41/n48*/n66/n71/n77/n78/n79 5G NR SA n1/n2/n3/n5/n7/n8/n12/n20/n25/n28/n38/n40/n41/n48*/n66/n71/n77/n78/n79 LAA:B46
LTE	LTE-FDD:B1/B2/B3/B4/B5/B7/B8/B9/B12(B17)/B13/B14/B18/B19/B20/B25/B26/B28/B29/B30/B32/B66/B71 LTE-TDD:B34/B38/B39/B40/B41/B42/B43/B48 LTE Category: DL CAT20/UL CAT 18
WCDMA	850/AWS (1700/2100)/1900 MHz; Bands:B1/B2/B3/B4/B5/B6/B8/B19

For any further technical specification inquiries or solution design considerations, please contact your representative or Intwine Connect support.